

Submittal Data: UMAT18HP230V1AD 18,000 BTUH Slim Duct Heat Pump System

Job Name	Location	Date
-----------------	-----------------	-------------

Purchaser	Engineer
------------------	-----------------

Submitted To	For <input type="checkbox"/> Reference <input type="checkbox"/> Approval <input type="checkbox"/> Construction
---------------------	---

Unit Designation	Schedule No.
-------------------------	---------------------

- GENERAL FEATURES**
- Multi-Speed Fan
 - Medium Static Pressure Capability
 - Flexible Return Air From Bottom Or Rear
 - Internal Condensate Drain Pump
 - Sentry Condensate Overflow Protection
 - Wired Remote Controllers
 - Gold Fin Condenser Coating
 - 5 yr. Limited Parts Warranty
 - 7 year Limited Compressor Warranty



System Ratings

Cooling		
Rated Capacity		17,100 BTU/H
Capacity Range		5,400-19,800 BTU/H
Power Input (Max)		1,750 W
SEER		16.0
EER		11.0
Heating at 47° F		
Rated Capacity		18,800 BTU/H
Capacity Range		4,700-23,200 BTU/H
Power Input (Max)		1,900 W
HSPF		9.5
COP		3.3
Heating at 17° F		
Rated Capacity		10,900 BTU/H
Operating Range		
Cooling	(Max)	115°F (46 C)
	(Min)	0°F (-18 C)
Heating	(Max)	75°F (24 C)
	(Min)	0°F (-18 C)
Refrigerant Piping Data		
Gas Pipe Size (OD)		1/2-in
Liquid Pipe Size (OD)		1/4-in
Connection Method		Flared
MAX Refrigerant Pipe Length		66-ft
MIN Refrigerant Pipe Length		10-ft
MAX Refrigerant Pipe Elevation		49-ft

Indoor Unit Data

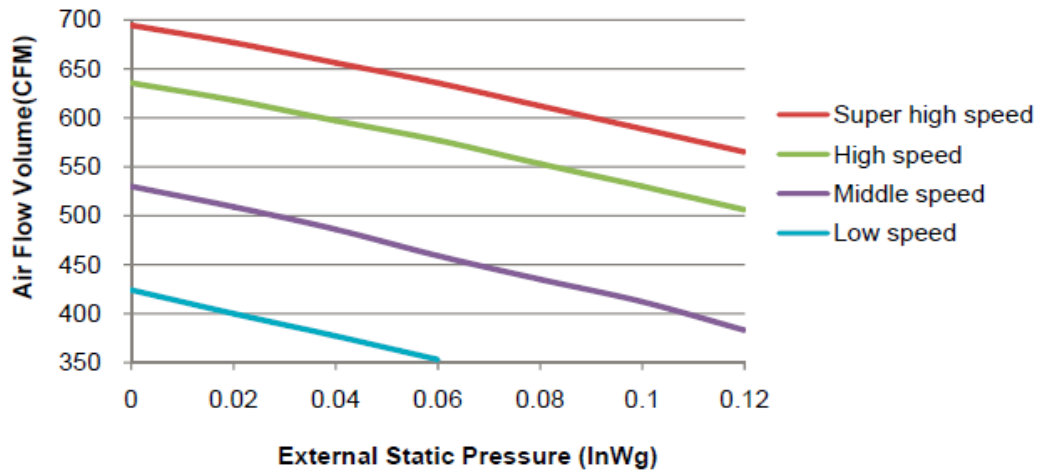
Fan Motor	Output Power	1/10HP
	FLA	0.6 A
Airflow		
	Cooling Wet (Lo/Hi)	362/585 CFM
	Heating Dry (Lo/Hi)	362/585 CFM
Sound Pressure Level		
	Cooling (Min/Max)	28/40 db(A)
	Heating (Min/Max)	28/40 db(A)
Dehumidification		
		0.66 pt/hr
Condensate Drain Lift (Height)		
		39-in
Power Supply		
	Normal Operational Voltage	208/230 V, 1 Phase, 60 Hz
	Voltage Range	187 - 253 V
	Interconnecting Cable Wire Size	18-2 AWG
	MCA	1.0A
	MOCP/Breaker Size	15A

Outdoor Unit Data

Compressor	DC Inverter Driven Rotary	
Refrigerant Type		R410A
Fan Motor	Output Power	1/6HP
	FLA	1.5 A
Sound Pressure		
	Cooling/Heating	56/56 db(A)
Power Supply		
	Normal Operational Voltage	208/230 V, 1 Phase, 60 Hz
	Voltage Range	187 - 253 V
	MCA	17.0A
	MOCP/Breaker Size	25 A

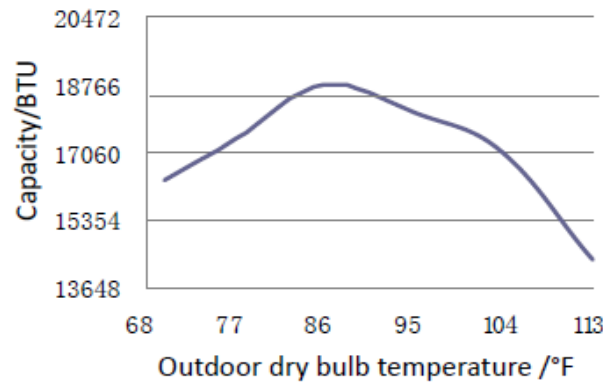


FAN PERFORMANCE CURVES

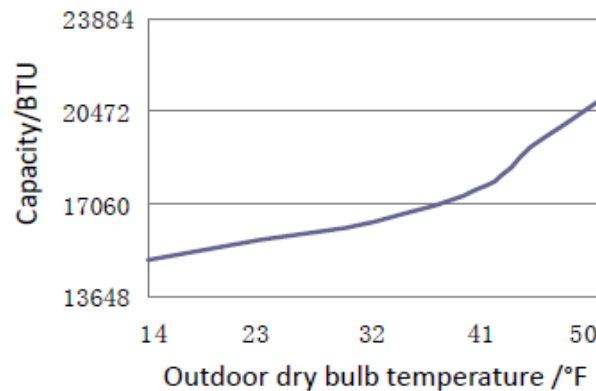


EXTENDED RATINGS

COOLING PERFORMANCE



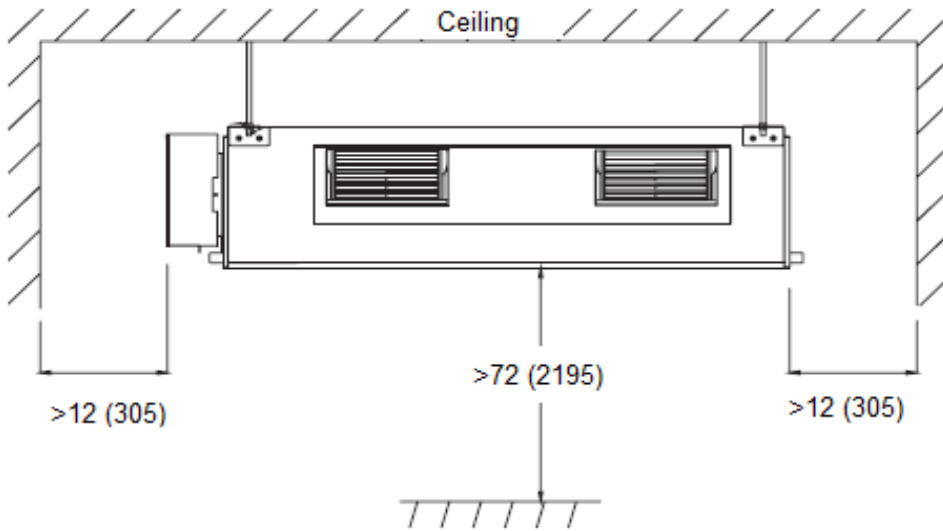
HEATING PERFORMANCE



MINIMUM SPACING REQUIREMENTS

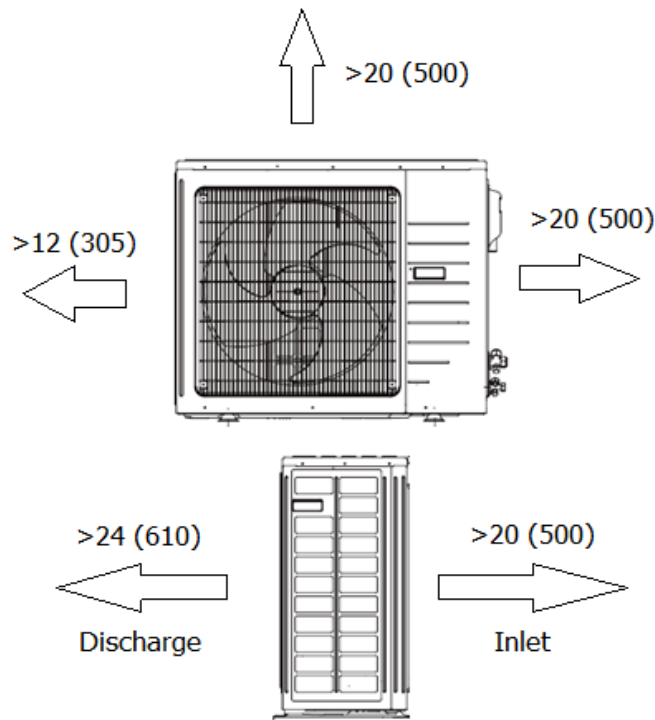
Units: inch (mm)

INDOOR



Units: inch (mm)

OUTDOOR

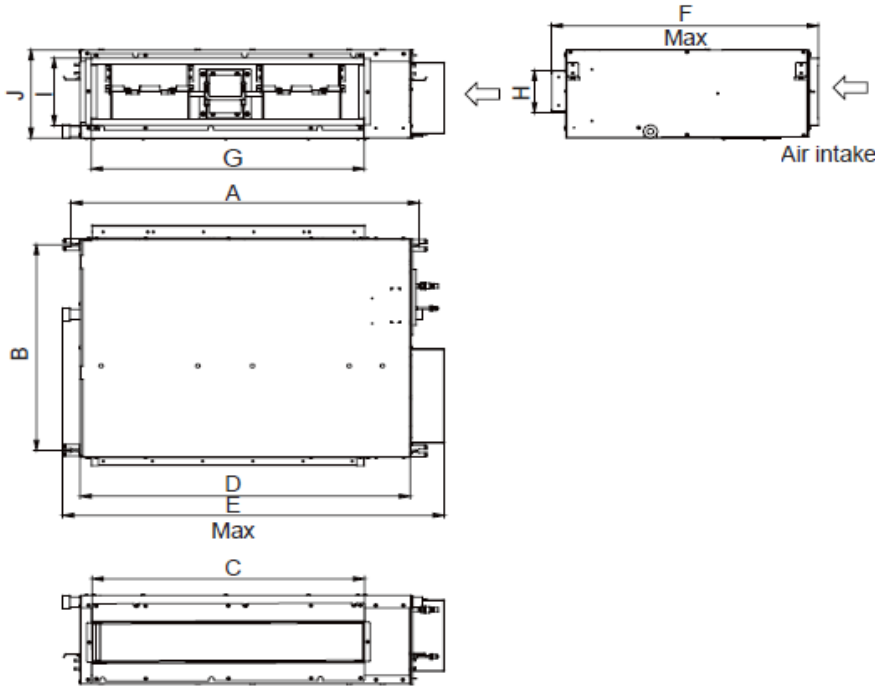


DIMENSIONAL SPECIFICATIONS

UMAT18HP230V1AD

INDOOR UNIT DIMENSIONS & WEIGHTS

Units: inch (mm)



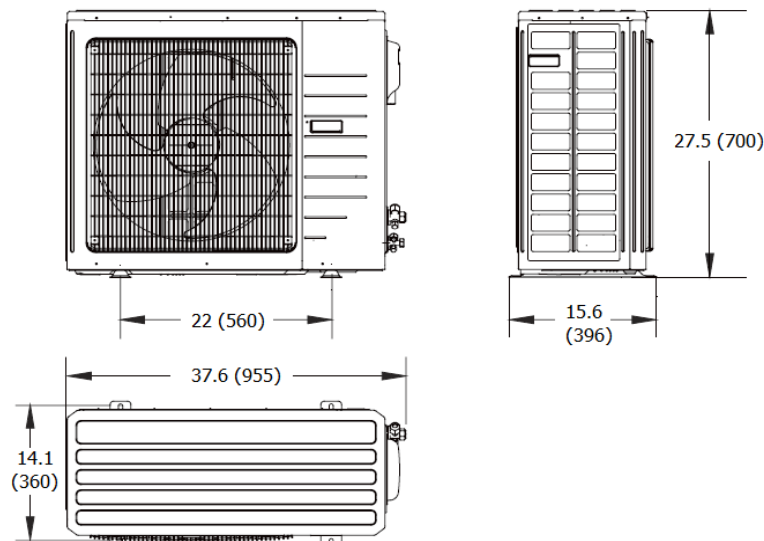
A	37.25	(945)
B	24.375	(618)
C	29.0	(738)
D	35.125	(892)
E	40.88	(1037)
F	28.375	(721)
G	29.0	(738)
H	4.875	(125)
I	8.0	(203)
J	10.5	(266)

Net Weight	73 lbs
Shipping Weight	84 lbs

Liquid Line Valve	1/4-in OD Flared
Gas Line Valve	1/2-in OD Flared
Drain Connector	1-in OD

OUTDOOR UNIT DIMENSIONS & WEIGHTS

Units: inch (mm)



Net Weight	106 lbs
Shipping Weight	115 lbs

Liquid Line Valve	1/4-in OD Flared
Gas Line Valve	1/2-in OD Flared

Notes:

1. Recommended Communication Cable Type 18-2 AWG Stranded Copper THHN 600V Wire
2. Power wiring cable size must comply with applicable national and local codes.
3. Test conditions are based on AHRI 210/240.



Specifications are subject to change without notice. Manufacturer reserves the right to discontinue or modify specifications or designs without notice or without incurring obligations. All rights reserved.